

# RA1x2 Quick Start Guide

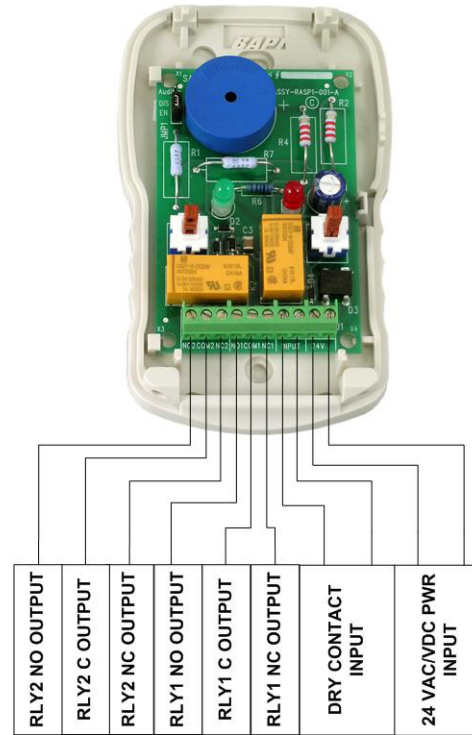


**T**hank you for purchasing the Raptor RA1x2. This guide describes how to install the RA1x2.

If you need further assistance, contact RLE Technologies on our website at <http://www.rletech.com/> (go to the **Support Link**) or by calling **970.484.6510, Option 2.**



## 1 Installation



### Electrical Connections

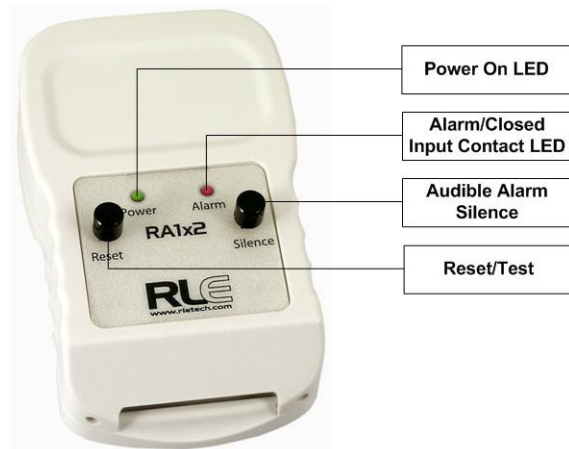
- 1 Connect the 24VAC/VDC to J1 pin 9 and pin 10.
- 2 Connect the alarm input (dry contact) to J1 pin 7 and pin 8.

#### Alarm Relay Output Wires

#### Input Wires

Relay 1	-	Common (COM)	J1 pin 5
Relay 1	-	Normally Open (NO)	J1 pin 4
Relay 1	-	Normally Closed (NC)	J1 pin 6
Relay 2	-	Common (COM)	J1 pin 2
Relay 2	-	Normally Open (NO)	J1 pin 1
Relay 2	-	Normally closed (NC)	J1 pin 3

## 2 Operation and Testing



The RA1x2 reports the closure of a dry contact change of state. When a change is detected, the audible alarm sounds and the alarm LED illuminates.

### Silence and Reset

- 1 Silence the audible alarm by pushing the Silence button.
- 2 Select the Reset push button to immediately reset.

### Testing

Once the unit has been installed and all electrical connections have been made, test the RA1x2 for proper operation:

- 1 Push the Reset (Test) button, or cause an alarm on the device being monitored.  
If the RA1x2 is in proper working order, the alarm LED illuminates, and the audible alarm sounds.
- 2 While the alarm is on, push the Silence button to verify that the audible alarm is silenced.
- 3 If the alarm does not sound and the LEDs do not illuminate, check the power connections, and verify that the power-on LED is illuminated.

©2010 RLE Technologies. All rights reserved. RLE is a registered trademark, and SeaHawk, Falcon, and Raptor are trademarks of RLE Technologies. All other trademarks or registered trademarks are the property of their respective companies. Although the information contained in this document is believed to be accurate and correct, RLE Technologies assumes no responsibility, and disclaims all liability, for any damages resulting from the use of this information or any error or omission in this document. RLE Technologies does not warrant, guarantee, or make any representations as to the performance, fitness for use, safety, or reliability of any existing or future wiring, equipment, additions or modifications to equipment, or any other component of the original or modified system. Specifications are subject to change without notice. Part number 110055 Rev. 1.0 6/2010

**RLE**  
Technologies

104 Racquette Drive  
Fort Collins, CO 80524  
970.484.6510  
www.rletech.com