

HD150 and HD150-2 Hydrogen Detectors

Requires external 24VDC

HD150: 1 alarm output (10% LEL), 1 trouble output.

HD150-2: 2 alarm outputs (10% LEL and 25% LEL)

Locate in battery rooms

1 HD150 per 900 square feet (similar to smoke detectors)

Install near ceiling

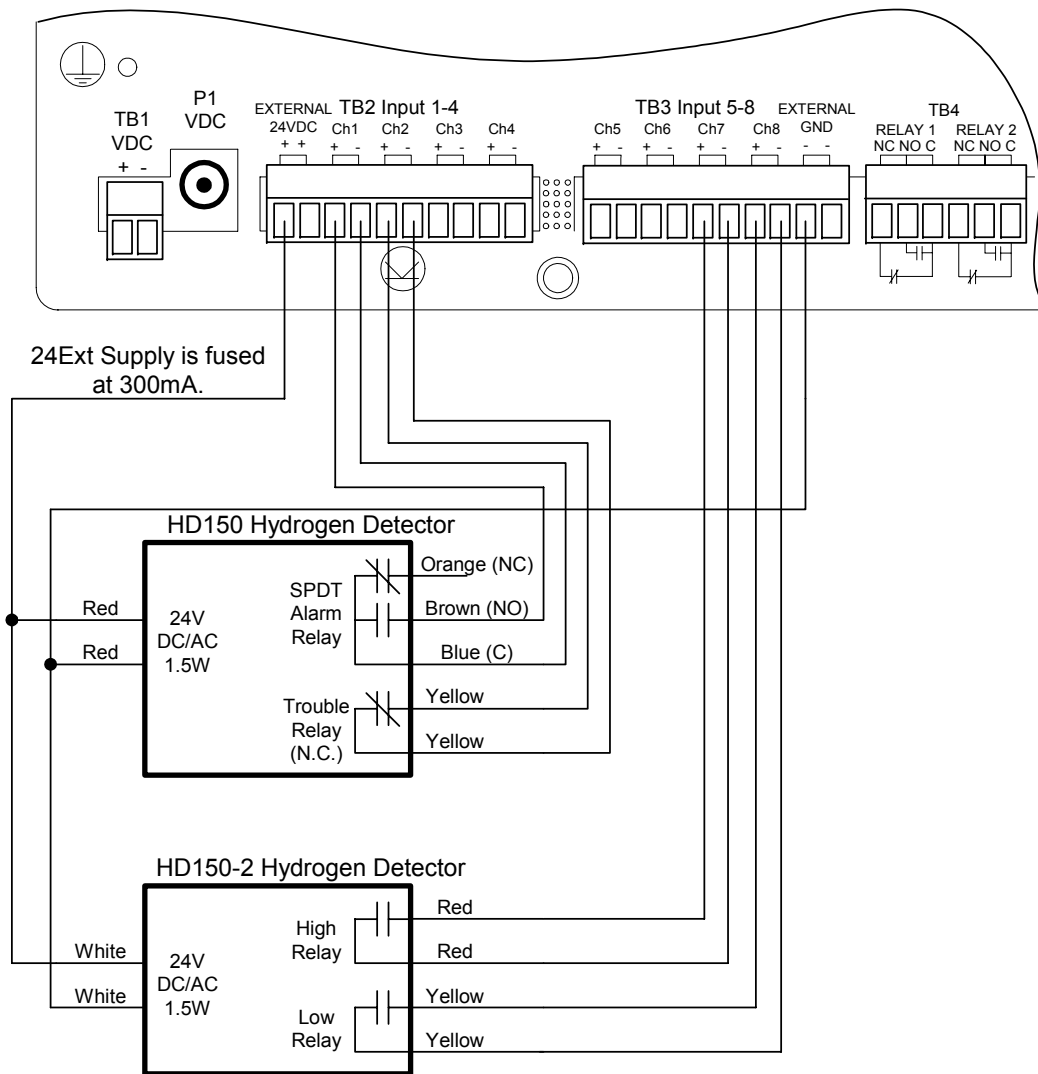
Use standard 4" x 4" electrical box

Sealed dry contact relays

100% gas tested



HD150/HD150-2 Wiring



Connect to any Falcon input Ch+ and Ch-

Do not have to use both outputs

Configure inputs as digital NO, individual ground

Power the HD150 units from the Falcon external 24VDC power supply provided the total current draw does not exceed 300mA.