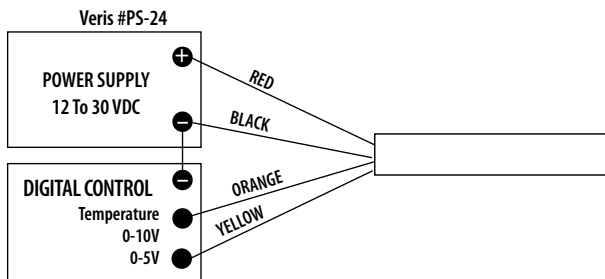


- Read instructions thoroughly prior to installation
- This product is not intended for life or safety applications

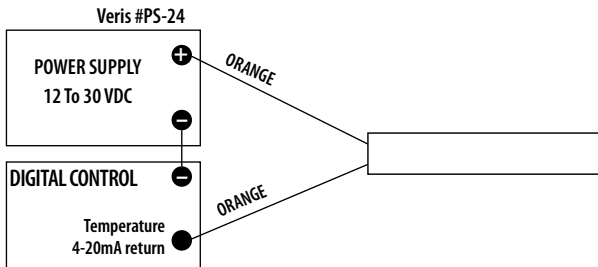
Applications shown are suggested means of installing sensors, but it is the responsibility of the installer to ensure that the installation is in compliance with all national and local codes. Installation should be attempted only by individuals familiar with codes, standards, and proper safety procedures for control installations.

WIRING DIAGRAMS

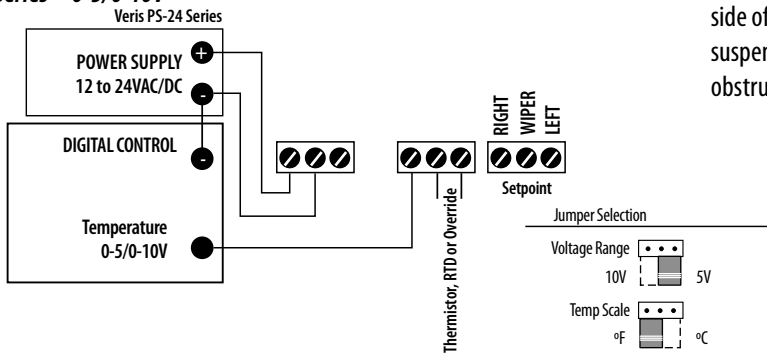
TD/TO Series – 0-5/0-10V



TD/TO Series – 4-20mA

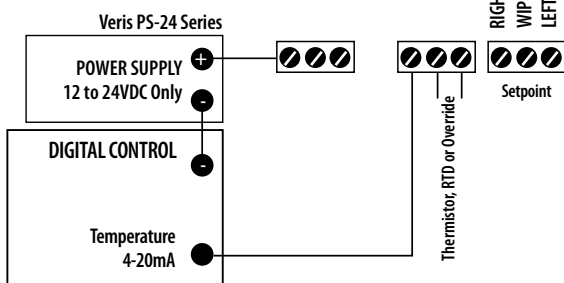


TW Series – 0-5/0-10V



NOTE: For 24VAC transformer powered applications, one side of transformer secondary is connected to common. Isolation transformer or dedicated power supply may be required.

TW Series – 4-20mA



Temperature Sensors T SERIES Semiconductor Based Transmitters

VERIS INDUSTRIES

PORTLAND, OREGON USA
(503) 598-4564 FAX (503) 598-4664
1-800-354-8556

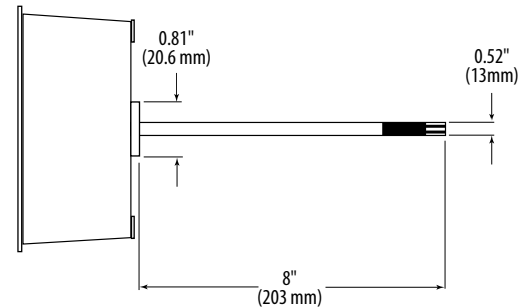
<http://www.veris.com> email:sales@veris.com



DIMENSIONS

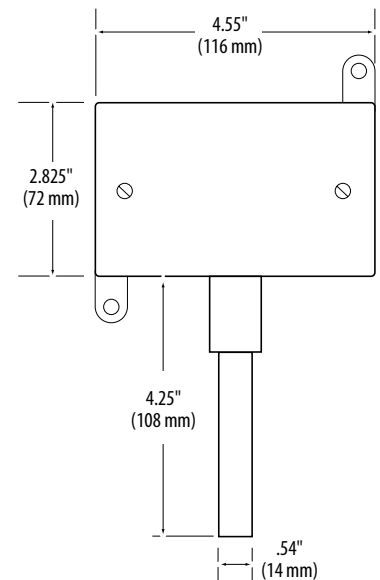
TO Series

Duct penetration must allow for probe mount diameter.



TO Series

Locate outside air sensor in a sheltered area, out of direct sunlight (e.g. under eaves, north side of building). Sensor may be suspended by conduit. Do not obstruct vent openings.



TW Series

Locate sensor on an interior wall, where air circulates freely. Locate unit away from air outlets, corners, exterior walls, windows, and doors.

