



The RLE RASPI (Remote Alarm Status Panel) provides a single remote annunciation point that simplifies equipment monitoring and minimizes response time. The RASPI is a surface mounted device that can monitor any equipment that provides normally open dry contact inputs.

Designed to be simple to use and easy to maintain, the RASPI contains a summary alarm relay that activates when an alarm is detected. If the monitored contact changes state, the alarm LED (red) will illuminate and the audible alarm sounds. Selecting the alarm-silence switch will silence the audible alarm. When the alarm-silence switch is activated, a yellow LED will illuminate.

Routine maintenance is also simplified by a test button that initiates a self-test.

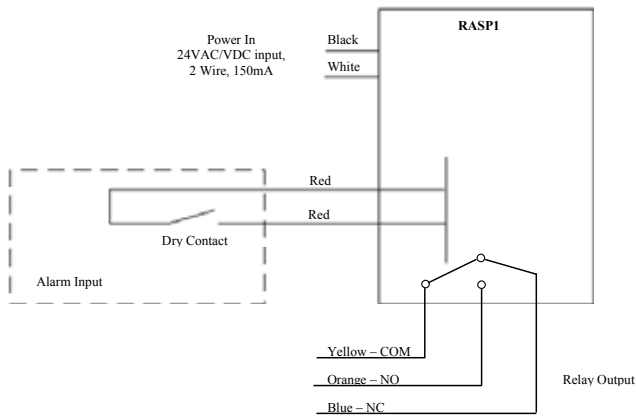
Key Features & Benefits

- Accepts any NO dry contact signal - HVAC, PDU, UPS, Generator, Fire Security, and more
- Easy to install and operate
- Visual and audible remote alarm annunciation
- Easily integrates into existing monitoring systems
- Summary alarm relay output (Form C)
- Remote audible alarm interface
- Simple routine maintenance via a self-test button

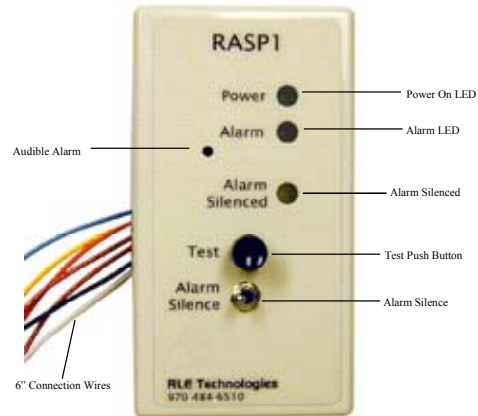
Specifications

Power	24VAC/VDC (±10%) @ 150mA max.
Inputs	1 NO Dry Contact (<50mA)
Outputs	
Relay	1 Dry Contact, Form C, 1A @ 24VDC, 0.5A resistive @120VAC
Alarm Notification	
Audible Alarm	70DBA @ 1' (0.3m)
Front Panel Interface	
Switches	1 Alarm Silence (on/off)
LED Indicators	1 Green Power (on/off), 1 Red Alarm & 1 Yellow Alarm Silence
Push Buttons	1 Test
Operating Environment	
Temperature	32°F to 122°F (0°C to 50°C)
Humidity	5% to 95% RH, non-condensing
Altitude	15,000' (4,572m) max.
Storage Environment	-4°F to 158°F (-20°C to 70°C)
Dimensions	2.6"W x 4.75"H x 1.6"D (66mmW x 121mmH x 41mmD)
Weight	0.5 lbs. (.225kg)
Mounting	Surface mount

Installation & Testing



Operation



Electrical Connections

1. Connect the 24VAC/VDC to the black and white wires.
2. Connect the alarm input (dry contact) to the two red wires.

Summary alarm relay wires

Yellow - Common (COM)
 Orange - Normally Open (NO)
 Blue - Normally Closed (NC)

Input wires

White - Power
 Black - Power
 Red - Alarm

The RASP1 reports the closure of a dry contact change of state. When a contact closure is detected, the audible alarms sounds and the alarm LED will illuminate.

The audible alarm can be completely silenced by toggling the alarm silence switch. The alarm silence LED will then illuminate, indicating that the switch is in a silenced position.

Testing

Once the unit has been installed and all electrical connections have been made, test the RASP1 for proper functionality: push the test switch or cause an alarm on the device being monitored. If the RASP1 is in proper working order, the alarm LED illuminates and the audible alarm sounds. While the alarm is on, position the silence switch to the left to verify that the audible alarm is silenced. If the alarm does not sound and the LEDs do not illuminate, check the power connections and verify that the power on LED is illuminated.



FORT COLLINS CO
 970 484-6510
 970 484-6650 FAX
 WWW.RLETECH.COM

©2007 RLE Technologies 13105 Rev 3.2 (01/2008)



Although the information contained in this document is believed to be accurate and correct, RLE Technologies assumes no responsibility, and disclaims all liability, for any damages resulting from the use of this information or any error or omission in this document. RLE Technologies does not warrant, guarantee, or make any representations as to the performance, fitness for use, safety, or reliability of any existing or future wiring, equipment, additions or modifications to equipment, or any other component of the original or modified system. Specifications are subject to change without notice.